

S4740E

ELECTRIC SLAB SCISSOR LIFT



- Self-propelled electric scissor lift
- Choice of electric or hydraulic drive
- Roll-out deck extension for extra reach
- Suitable for indoor and outdoor use
- Ideal for construction & maintenance applications



snorkel[™]
www.snorkellifts.com

ELECTRIC SLAB SCISSOR LIFT

S4740E

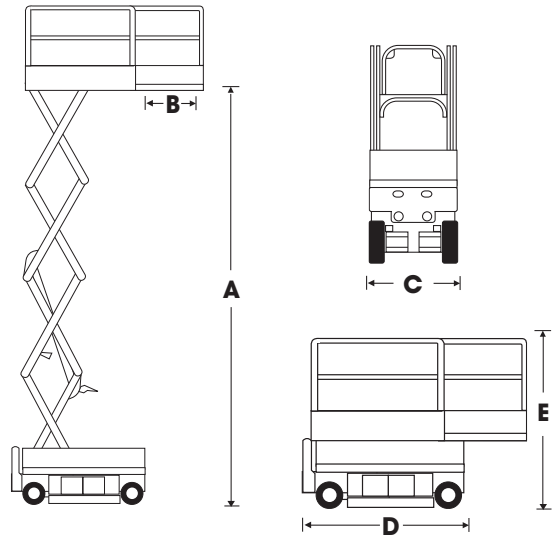
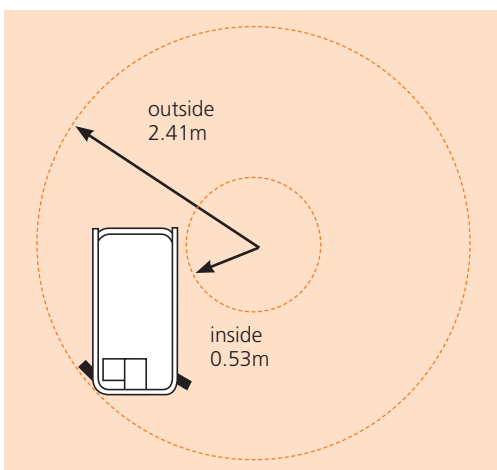
DIMENSIONS		S4740E*
Max. working height		14.0m
Max. platform height (A)		12.0m
Platform size (stowed)		1.09m x 2.14m
Platform size (extended)		1.09m x 3.36m
Extension deck length (B)		1.21m
Overall length (with step) (D)		2.3m
Overall length (without step)		2.26m
Overall width (C)		1.19m
Stowed height (E)		2.56m
Min. height (guardrails folded)		1.93m
Ground clearance (stowed)		66mm
Ground clearance (elevated)		19mm

PERFORMANCE	
Platform capacity	250kg
Max. drive height	12.0m
Max. wind speed	12.5m/s
Max. drive speed (stowed)	3.2km/h
Max. drive speed (elevated)	0.6km/h
Raise/lower time	68/72 sec
Gradeability	25%
Inside turning radius	0.53m
Outside turning radius	2.41m
Tires	15 x 5 non-marking rubber
Controls	proportional
Drive system	2-wheel drive

POWER	
Power source	24V DC battery electric
Charger	90 - 240V, 25amp

WEIGHT	
Weight	3,251kg

TURNING RADIUS



STANDARD FEATURES

- Hydraulic drive
- Roll-out deck extension with dual locks
- Non-marking tires
- Swing-out service trays
- Saloon-door style entry gates
- Descent alarm
- All motion alarm
- 2 persons indoor
- 1 person outdoor
- Proportional controls, including descent
- Power line to platform
- Loading pendant
- Flashing amber light
- Hour meter & on-board diagnostics display
- Integrated battery charger
- Battery condition indicator
- Crane & forklift points
- Dual lanyard attachment points
- Scissor stack roller slide plates (set of 2)
- 2 year parts & labor, 5 year structural warranty
- ANSI compliant

OPTIONS

- Special paint colors
- Electric drive
- 110V AC 800W inverter
- Airline to platform
- Aircraft bumpguard package
- Environmental hydraulic oil
- Snorkel Guard™ secondary guarding system
- Snorkel OnSite™ telematics

snorkel

www.snorkellifts.com

P.O. Box 1160
 St. Joseph, MO 64502-1160, USA
 Tel: 1 (785) 989-3000
 Toll-free: 1 (800) 255-0317
 Fax: 1 (785) 989-3070
 Email: sales.usa@snorkellifts.com