

ML12M/ML16M/ML20M

MATERIAL LIFTS



- A high specification material lift, with best-in-class load capacity
- Narrow design with ultra compact reduced height mast to easily pass through a single doorway
- Robust and reliable
- Features a dual handle, shift-on-the-fly, two-speed winch for improved productivity

 **snorkel**[™]
www.snorkellifts.com

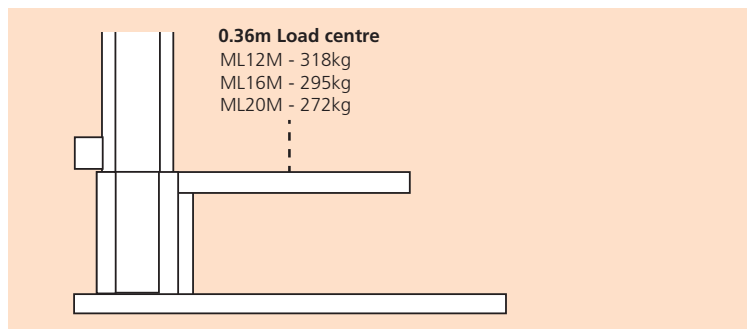
MATERIAL LIFTS

| DIMENSIONS | ML12M | ML16M | ML20M |
|--------------------------|-------|-------|-------|
| Lift height – forks up | 3.8m | 4.9m | 6.0m |
| Lift height – forks down | 3.3m | 4.4m | 5.5m |
| Stowed width (A) | 0.77m | 0.77m | 0.77m |
| Stabiliser width (B) | 1.63m | 1.63m | 1.63m |
| Stowed length | 0.84m | 0.88m | 0.91m |
| Operating length (C) | 1.72m | 1.85m | 2.1m |
| Stowed height (D) | 1.59m | 1.59m | 1.59m |
| Fork width (outside) | 0.58m | 0.58m | 0.58m |
| Fork length (E) | 0.76m | 0.76m | 0.76m |
| Ground clearance | 60mm | 60mm | 60mm |

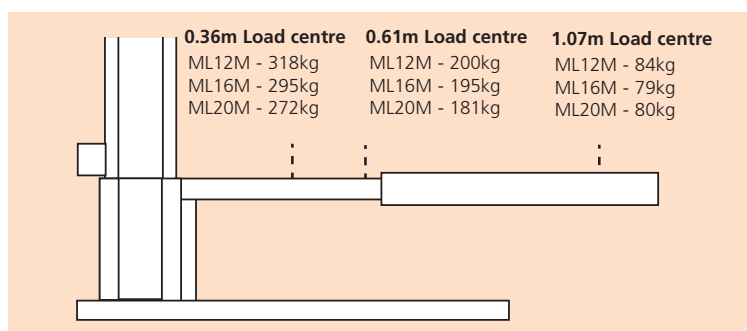
| PERFORMANCE | ML12M | ML16M | ML20M |
|--|-------|---------------|-------|
| Max. load capacity (0.36m load centre) | 318kg | 295kg | 272kg |
| Max. load capacity (0.61m load centre) | 200kg | 195kg | 181kg |
| Max. load capacity (1.07m load centre) | 84kg | 79kg | 80kg |
| Min. load height | 150mm | 150mm | 150mm |
| Winch (high speed) | | 13.1 cranks/m | |
| Winch (low speed) | | 49.2 cranks/m | |

| WEIGHT | ML12M | ML16M | ML20M |
|--------|-------|-------|-------|
| Weight | 120kg | 135kg | 151kg |

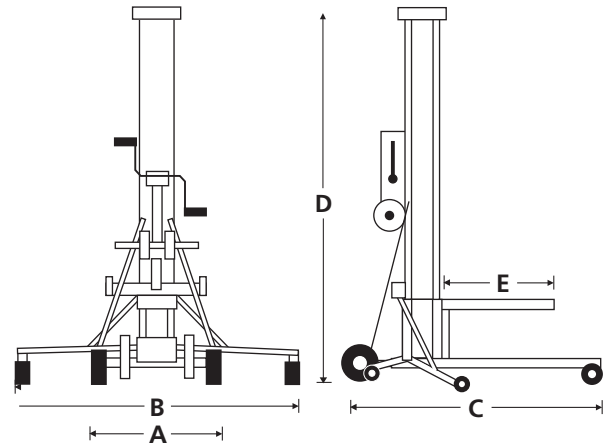
LOAD CAPACITY - STANDARD FORKS



LOAD CAPACITY - EXTENDED FORKS



ML12M/ ML16M/ML20M



STANDARD FEATURES

- Stabilisers with non-marking swivel casters (ML12M)
- Non-marking transport/loading wheels
- Cable guard
- Mast brake
- Dual handle, two-speed shift-on-the-fly winch
- Metal cable pulleys with sealed bearings
- Heavy-gauge aluminium extrusions
- Heavy-duty, non-marking casters
- Quick-fold stabilisers
- Crane attachment point
- 2 year parts & labor, 5 year structural warranty
- ANSI compliant

OPTIONS

- Special paint colors
- Adjustable forks
- Boom
- Pipe cradle
- Fork extensions
- Load platform
- Stabilisers with non-marking swivel casters (ML16M/ML20M)

snorkel www.snorkellifts.com

P.O. Box 1160
St. Joseph, MO 64502-1160, USA
Tel: 1 (785) 989-3000
Toll-free: 1 (800) 255-0317
Fax: 1 (785) 989-3070
Email: sales.usa@snorkellifts.com