

# 600S/660SJ *ALL TERRAIN*

## MID-SIZE TRACKED TELESCOPIC BOOM LIFTS



- Rugged tracked all-terrain telescopic boom lifts
- Powerful 4 wheel drive & oscillating axle
- Ultra-tight turning radius
- Excellent working range and 2.0m jib for maximum versatility
- Simple to operate and easy to maintain

 **snorkel**<sup>™</sup>  
[www.snorkellifts.com](http://www.snorkellifts.com)

# MID-SIZE TRACKED TELESCOPIC BOOM LIFTS

# 600S/660SJ ALL TERRAIN

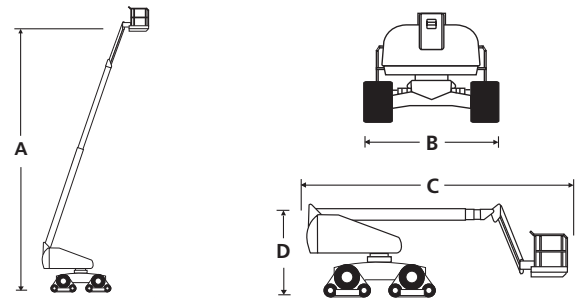
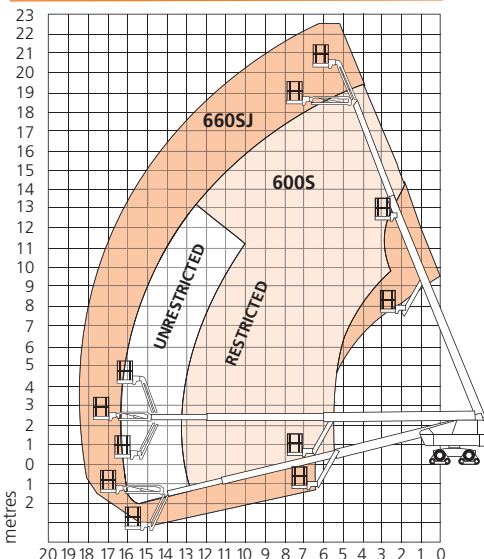
DIMENSIONS	600S*	660SJ*
Max. working height	20.6m	22.4m
Max. platform height (A)	18.6m	20.4m
Max. working outreach	16.0m	18.0m
Platform size	2.44m x 0.91m	2.44m x 0.91m
Transport width	2.24m	2.24m
Overall width (B)	2.46m	2.46m
Transport length	9.2m	8.5m
Overall length (C)	9.2m	10.5m
Transport height	2.64m	2.64m
Stowed height (D)	2.64m	3.2m
Ground clearance	444mm	444mm

PERFORMANCE	600S*	660SJ*
Platform capacity (SWL) unrestricted	272kg	272kg
Platform capacity (SWL) restricted	454kg	n/a
Max. drive height	18.3m	20.1m
Max. wind speed	12.5m/s	12.5m/s
Max. drive speed (stowed)	5.6km/h	5.6km/h
Max. drive speed (elevated)	0.96km/h	0.96km/h
Jib length	n/a	2.0m
Jib arc	n/a	135° (+70°/-65°)
Platform rotation	150°	150°
Turret rotation (continuous)	360°	360°
Raise/lower time	50/50 sec	50/50 sec
Tailswing	1.2m	1.2m
Gradeability	45%	45%
Inside turning radius	5.94m	5.94m
Outside turning radius	8.38m	8.38m
Tires	independent rubber tracks	
Controls	proportional drive, raise, slew, extend, jib & platform rotate	
Drive system	4 track drive	

POWER	600S*	660SJ*
Power source	Deutz 2.9L 55kW/74hp - Stage V	
Auxillary power unit	12V DC	12V DC

WEIGHT	600S*	660SJ*
Weight	12,097kg	13,050kg

## WORKING ENVELOPE



## STANDARD FEATURES

- 4 independent rubber tracks
- Snorkel Guard™ secondary guarding system
- 2.0m 135° jib (660SJ)
- Oscillating axle (203mm of oscillation)
- Hydraulic platform rotation
- Four track drive
- All proportional controls
- Swing-out engine tray
- Horn
- Motion alarm
- Power line to platform
- Tilt alarm & cut-out
- DC emergency operation
- Hydraulic oil cooler
- Tri-entry platform
- Flashing amber light
- Hour meter & onboard diagnostic display
- 2 year parts & labor, 5 year structural warranty
- ANSI compliant

## OPTIONS

- Special paint colors
- Airline to platform
- Non-marking tires
- AC generator 110V/220V 2kW
- Aircraft package
- Deluxe aircraft package
- Cold weather package
- Extreme cold weather package
- Extreme environment package
- Light package
- Glazier package
- 10kW generator package
- 10kW generator/welder package
- Environmental hydraulic oil
- Tool tray
- Dual fuel

**snorkel**

www.snorkellifts.com

P.O. Box 1160  
St. Joseph, MO 64502-1160, USA  
Tel: 1 (785) 989-3000  
Toll-free: 1 (800) 255-0317  
Fax: 1 (785) 989-3070  
Email: sales.usa@snorkellifts.com